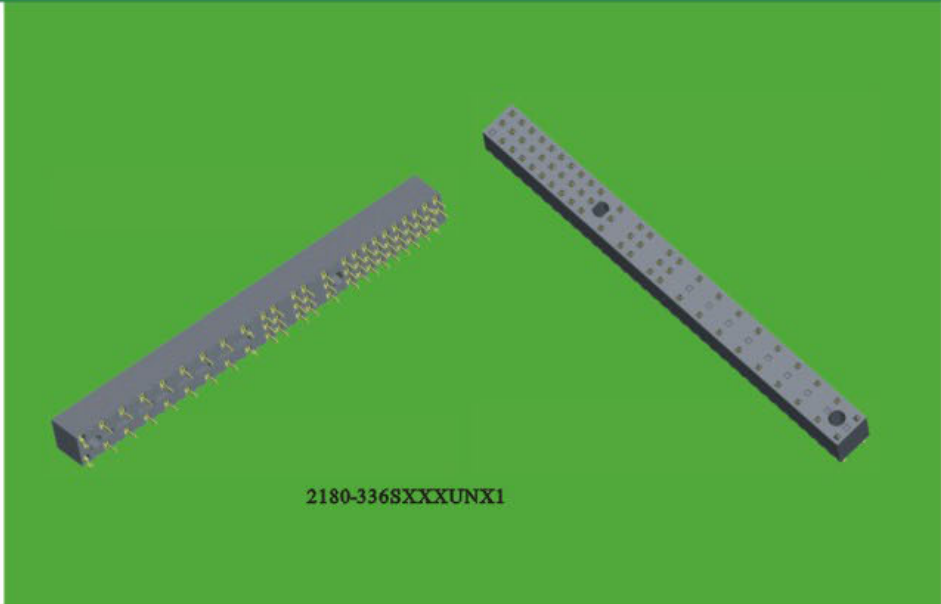
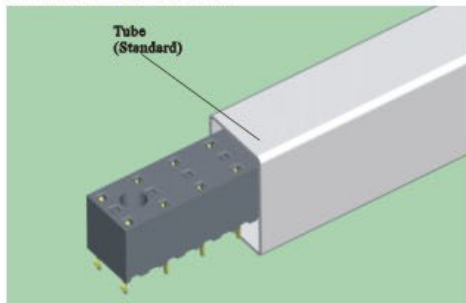


2.54mm Female Header, Triple Row

SPECIFICATIONS

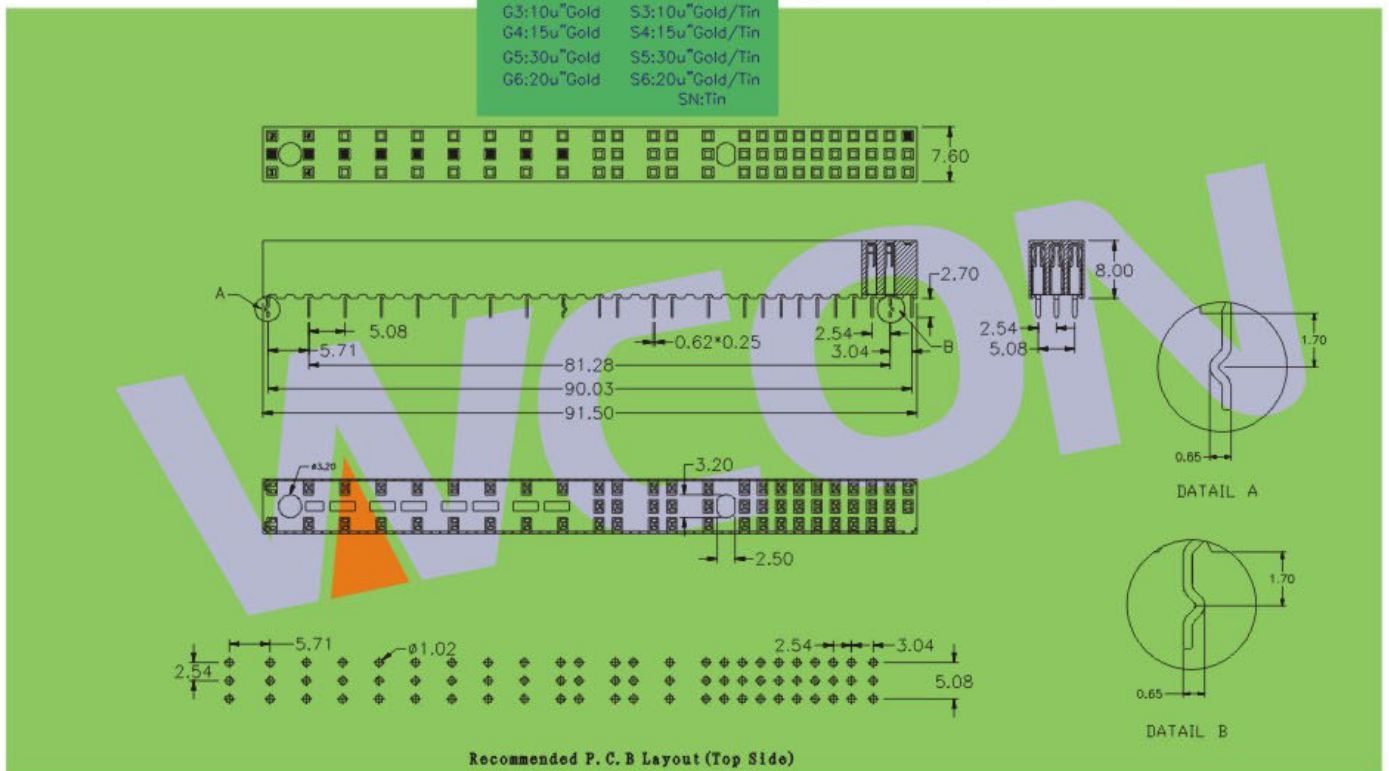
Current Rating: 3.0AMP
 Contact Resistance: 20m Ω Max.
 Insulation Resistance: 1000M Ω Min.
 Withstanding Voltage : 1000V AC/Minute
 Operation Temperature: -40°C to +105°C
 Contact Material: Phosphor Bronze
 Contact plating: Au or Sn Over Ni
 Insulator Material: Polyester (UL94V-0)
 Standard: LCP+ 30%GF



2180-336SXXXUNX1

2180-3 36 S XX X UN X 1

CONTACT PLATING		INSULATOR MATERIAL	PACKING
G0:1u" Gold	S0:1u" Gold/Tin	C:PA6T	A:Tray T:Tube
G1:3u" Gold	S1:3u" Gold/Tin	D:LCP	
G2:5u" Gold	S2:5u" Gold/Tin		
G3:10u" Gold	S3:10u" Gold/Tin		
G4:15u" Gold	S4:15u" Gold/Tin		
G5:30u" Gold	S5:30u" Gold/Tin		
G6:20u" Gold	S6:20u" Gold/Tin		
	SN: Tin		



Recommended P. C. B Layout (Top Side)

※ INNOVATION AND DEVELOPMENT ※ CONTINUAL IMPROVEMENT ※ QUALITY FOREMOST ※ CUSTOMER SATISFACTION ※

Http:www.wafe-china.com E-mail:sales@wafe-china.com

WAFE DONGGUAN FAX:+86 769 85358915 TEL:+86 769 85358920
 WAFE KUNSHAN FAX:+86 512 57468468 TEL:+86 512 57468418