

HSP

NOTES:

Current Rating: 3.0AMP
 Withstand Voltage: 500V AC/DC
 Contact Resistance: 20mΩ Max
 Insulation Resistance: 1000MΩMin
 Operation Temperature: -40°C to +105°C

Contact Material: Phosphor Bronze
 Contact plating: Au or Sn over Ni
 Insulator Material: PA6T+30%G. F UL94V-0

Ordering Information

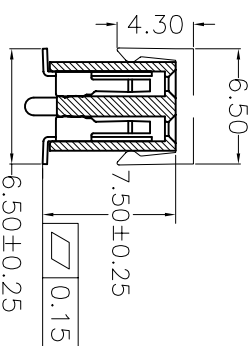
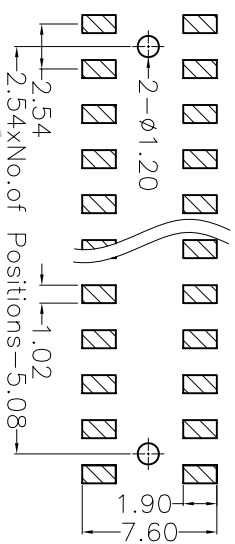
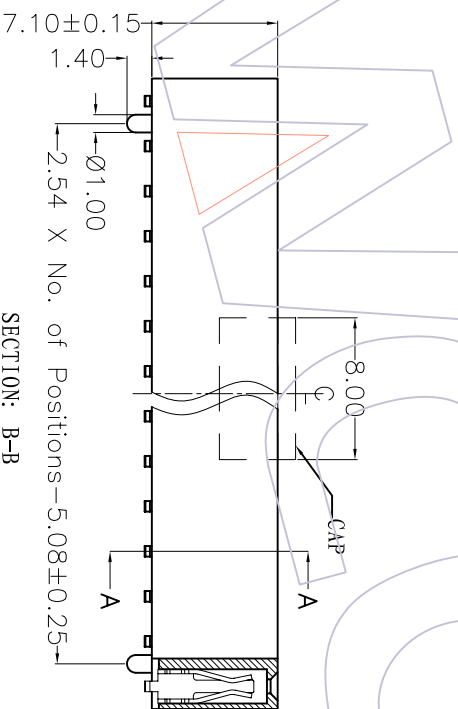
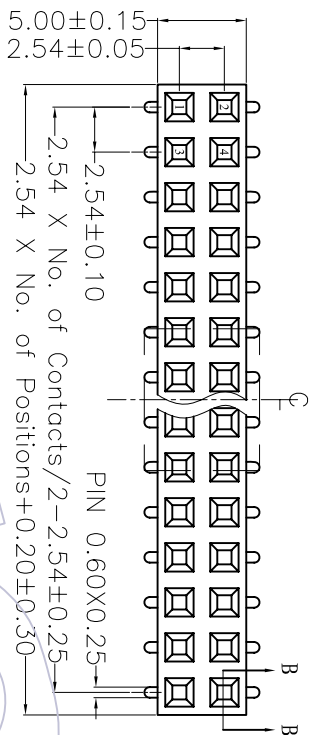
2171-2XX M XX C U N T X

No. of Pins per Row: 02~40PIN

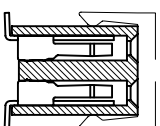
Contact Plating:
 GO=Gold Flash
 GH=3μ"Gold
 GS=5μ"Gold
 GS=10μ"Gold
 GA=15μ"Gold
 GP=30μ"Gold
 SO=Gold Flash/Tm
 SI=3μ"Gold/Tm
 S2=5μ"Gold/Tm
 S3=10μ"Gold/Tm
 S4=15μ"Gold/Tm
 S5=30μ"Gold/Tm
 SN=Tm

Packaging:
 T=Tube
 P=Tube+CAP
 R=Tube&Reel+CAP

Series No.
 1=TYPE 1
 2=TYPE 2



TYPE 2 WITH POST



TYPE 1 W\O POST

SECTION: B-B

SECTION: A-A

TYPE	PART NO.
TYPE 1	2171-2XXMXXCUNX1
TYPE 2	2171-2XXMXXCUNX2

WCON 维峰五金电子有限公司
 WAFER HARDWARE ELECTRONICS CO. LTD

OPERATION	DRAW	WEIYXD	SCALE
X.X	DESIGN		3:1
X.XX	CHECK		mm
X.XXX	CHECK		A4
Angle	APPROVE		1/1
± .3'			Customer NO.

UNIT	SIZE	PART NO.	TITLE:
mm	A4		PH2.54 DUAL SMT IH=7.1
SHEET	1/1		SEE TABLE
PROJ.			

REV	DATE	MODIFICATION DESCRIPTION	CHANGE	APPROVE	DIM	TOL	APPROVE	PROJ.	Customer NO.
A0	08/03/12	NEW							