



NOTES:

Current Rating: 2.0AMP  
 Withstand Voltage: 500V AC/DC  
 Contact Resistance: 20mΩ Max  
 Insulation Resistance: 1000MΩMin  
 Operation Temperature: -40°C to +105°C  
 Contact Material: Phosphor Bronze  
 Contact plating: Au or Sn over Ni  
 Insulator Material: PA6T+30%G, F UL94V-0

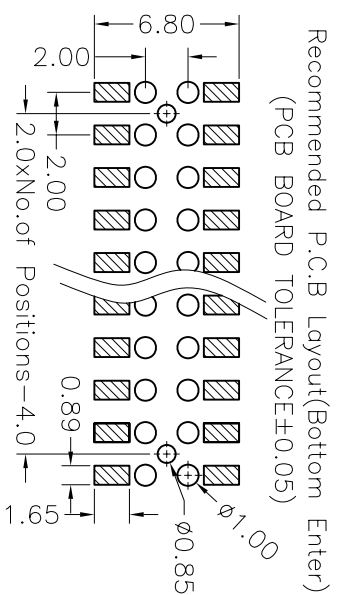
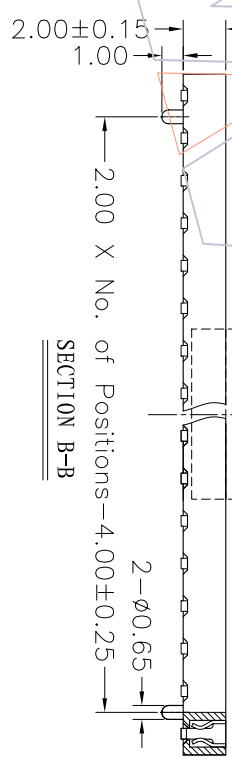
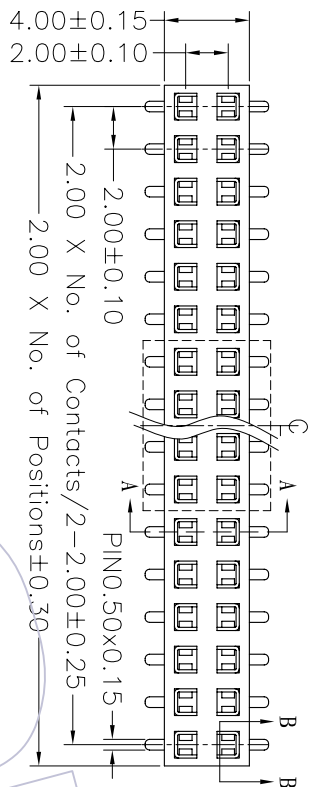
# Ordering Information

2220T - 2 XX M XX C U N T X

No. of Pins per ROW: 02-40PIN  
 Contact Plating: GM=Gold Flash  
 GI=3μ Gold  
 G2=5μ Gold  
 G3=10μ Gold  
 G4=15μ Gold  
 G5=30μ Gold  
 SP=Gold Flash/Tin  
 S1=3μ Gold/Tin  
 S2=5μ Gold/Tin  
 S3=10μ Gold/Tin  
 S4=15μ Gold/Tin  
 S5=30μ Gold/Tin  
 SN=Tin

Packing: T=Tube  
 R=Reel/CAP  
 P=Tube+CAP

Series No. 1=TYPE 1  
 2=TYPE 2



TYPE 1 W/O POST

TYPE 2 WITH POST

SECTION A-A

SECTION B-B

TYPE	PART NO.
TYPE 1	2220T-2XXMXXCUNT1
TYPE 2	2220T-2XXMXXCUNT2

**WCON** 维峰五金电子有限公司  
 WAFER HARDWARE ELECTRONICS CO., LTD

OPERATION	DRAW	SCALE
XX ±0.40	<i>Maidis</i>	3:1
X.XX ±0.25	DESIGN	UNIT mm
X.XXX ±0.15	CHECK	SIZE A4
Angle ± 3'	APPROVE	SHEET
DM	TOL	PROJ.

REV	DATE	MODIFICATION DESCRIPTION
A0	08/02/28	NEW

CHANGE	APPROVE

OPERATION	DRAW	SCALE
XX ±0.40	<i>Maidis</i>	3:1
X.XX ±0.25	DESIGN	UNIT mm
X.XXX ±0.15	CHECK	SIZE A4
Angle ± 3'	APPROVE	SHEET
DM	TOL	PROJ.

PART NO.	TITLE:	PHI. 2.00mm Dual SMT Bottom Enter H=2.0
	Customer NO.	

SBE TABLE