

# HSHF

**NOTES:**

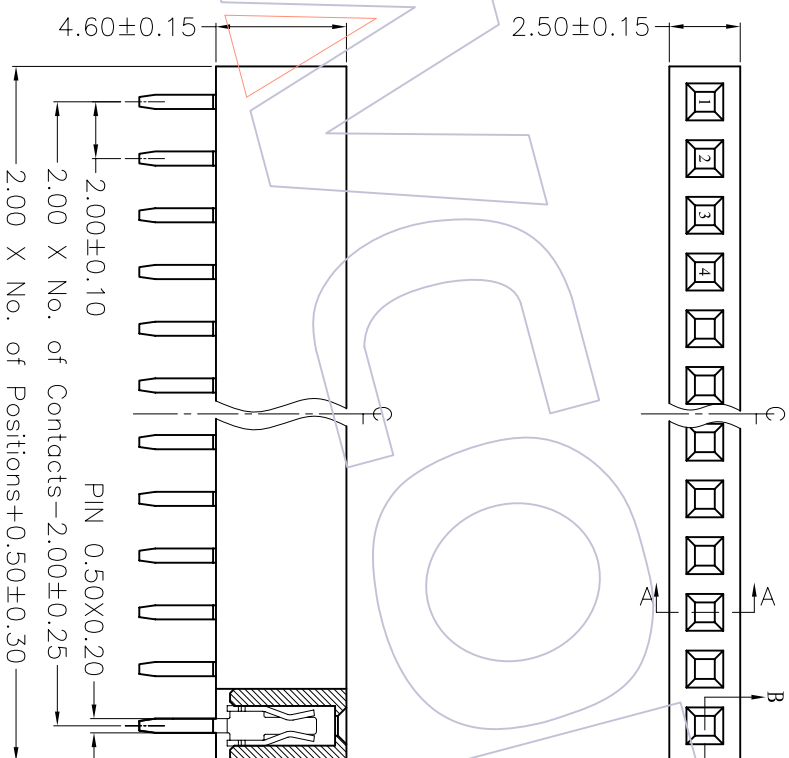
Current Rating: 2.0AMP  
 Withstand Voltage: 500V AC/DC  
 Contact Resistance: 20mΩ Max  
 Insulation Resistance: 1000MΩMin  
 Operation Temperature: -40°C to +105°C

Contact Material: Phosphor Bronze  
 Contact plating: Au or Sn over Ni  
 Insulator Material: PA6T+30%G.F UL94V-0

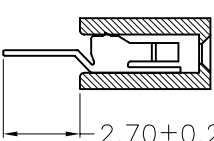
## Ordering Information

2246 - 1 XX S XX CUNT 1

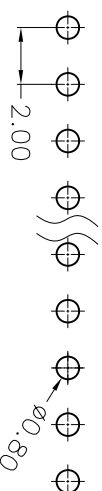
No. of Pins per Row: 42-40Pin  
 Contact Plating: T=Tube  
 GO=Gold Flash  
 GH=3μ"Gold  
 GS=5μ"Gold  
 G3=10μ"Gold  
 GA=15μ"Gold  
 GS=30μ"Gold  
 SO=Gold Flash/Tin  
 SL=3μ"Gold/Tin  
 S2=5μ"Gold/Tin  
 S3=10μ"Gold/Tin  
 S4=15μ"Gold/Tin  
 S5=30μ"Gold/Tin  
 SN=1Tin



SECTION B-B



SECTION A-A



Recommended P.C.B Layout(TOP Side)  
 (PCB BOARD TOLERANCE±0.05)

REV	DATE	MODIFICATION DESCRIPTION	CHANGE	APPROVE	OPERATION	DRAW	SCALE	PART NO.	TITLE:
A0	08/02/28	NEW			X.X ±0.40	<i>Waldig</i>	3:1	2246-1XXSXXCUNT1	2.00mm SINGLE FEMALE HEADER 180° H=4.6
					X.XX ±0.25	DESIGN	mm		
					X.XXX ±0.15	CHECK	A4		
					Angle ± 3'	SHEET	1/1		
					DIM TOL	PROJ.			Customer NO.

**WCON** 维峰五金电子有限公司  
 WAFER HARDWARE ELECTRONICS CO.,LTD