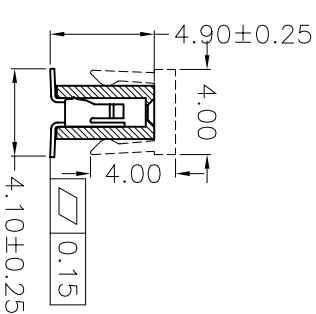
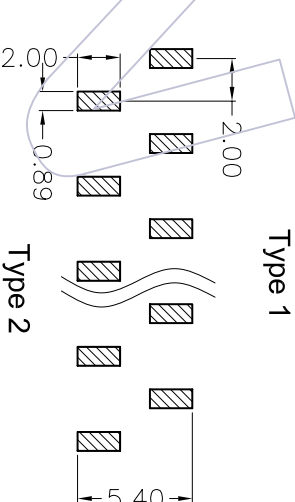
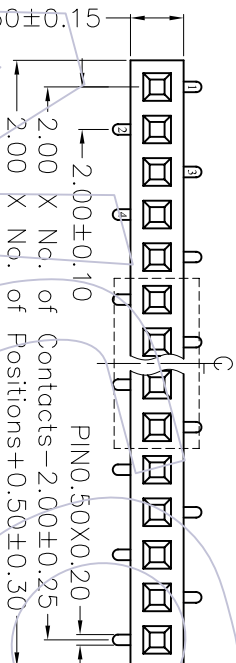
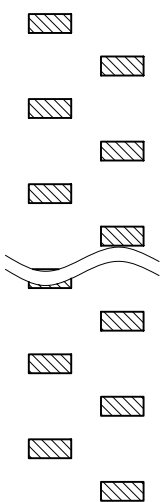
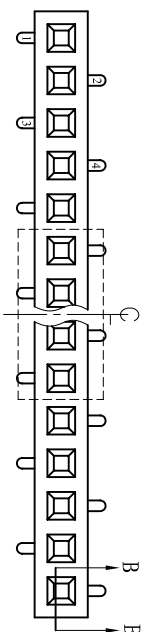


HSHF

Recommended P.C.B Layout(TOP Side)
(PCB BOARD TOLERANCE±0.05)

NOTES:
 Current Rating: 2.0AMP
 Voltage Rating: 500V AC/DC
 Contact Resistance: 20mΩ Max
 Insulation Resistance: 1000MΩMin
 Operation Temperature: -40°C to +105°C

Contact Material: Phosphor Bronze
 Contact plating: Au or Sn over 50 μ" Ni
 Insulator Material: PA6T+30%G. F UL94V-0



Ordering Information

2246 - 1 XX M XX C U N T X

No. of Pins per Row: 02~40PIN
 Contact Plating: GO=Gold Flash, GI=3μ"Gold, GS=5μ"Gold, G3=10μ"Gold, GA=15μ"Gold, GS=30μ"Gold, SO=Gold Flash,Tin, SI=3μ"Gold,Tin, S2=5μ"Gold,Tin, S3=10μ"Gold,Tin, S4=15μ"Gold,Tin, S5=30μ"Gold,Tin, SN=1Tin
 Packing: T=Tube, R=Tube&Reel+CAP, P=Tube+CAP
 Series No. 1=TYPE 1, 2=TYPE 2

SECTION B-B

SECTION A-A

TYPE	PART NO.
TYPE 1	2246-1XXMXXCUNT1
TYPE 2	2246-1XXMXXCUNT2

WCON 维峰五金电子有限公司
 WAFER HARDWARE ELECTRONICS CO. LTD

SEE TABLE

2.00mm SINGLE FEMALE HEADER SWT H=4.6

REV	DATE	MODIFICATION DESCRIPTION	CHANGE	APPROVE
A0	08/02/28	NEW		

OPERATION	DRAW	SCALE	UNIT	PART NO.
X.X	<i>MeiLing</i>	3:1	mm	
X.XX	DESIGN			
X.XXX	CHECK			
Angle	APPROVE			
± 3'				
± 0.15				
± 0.25				
± 0.40				