

# HSPF

**NOTES:**

Current Rating: 1.0AMP  
 Withstand Voltage: 500V AC/DC  
 Contact Resistance: 20mΩ Max  
 Insulation Resistance: 1000MΩMin  
 Operation Temperature: -40°C to +105°C

Contact Material: Phosphor Bronze  
 Contact plating: Au or Sn over Ni  
 Insulator Material: PA6T+30%G, F UL94V-0

## Ordering Information

2457 - 2 XX M XX C U N T X

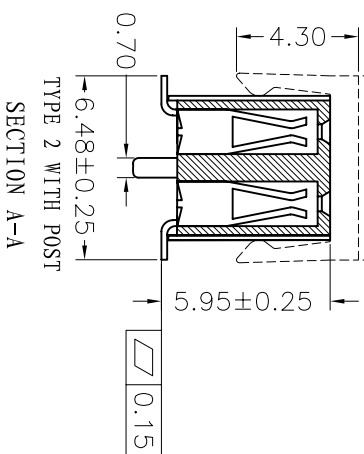
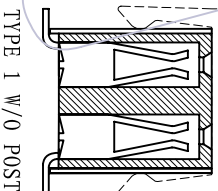
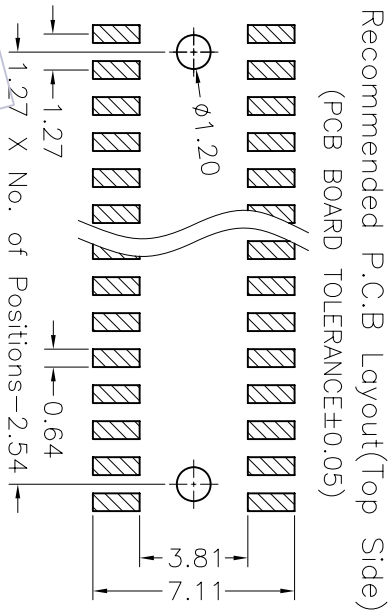
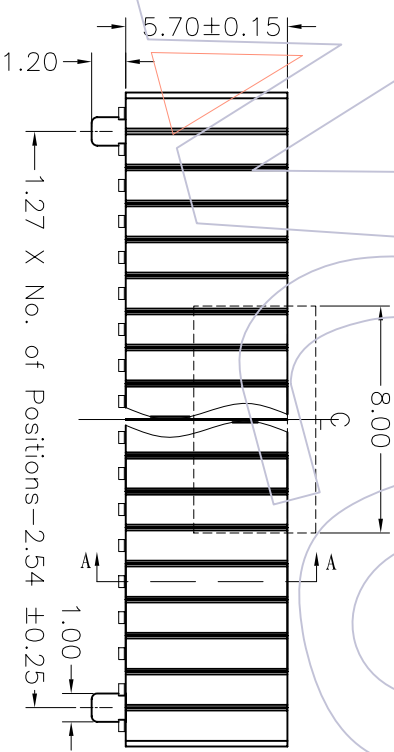
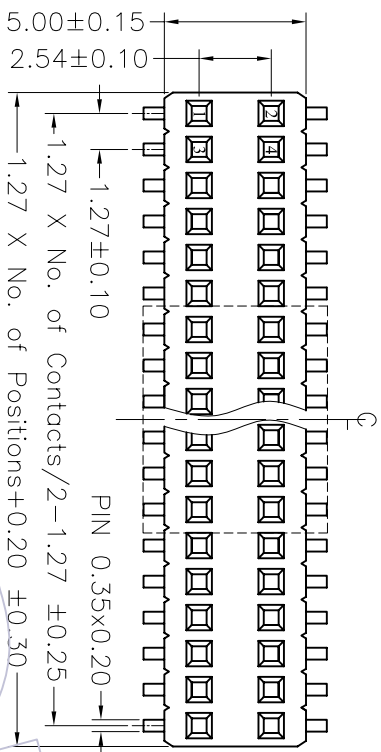
No. of Pins per Row: 02-50PIN

Contact Plating:  
 G0=Gold Flash  
 G1=3μ"Gold  
 G2=5μ"Gold  
 G3=10μ"Gold  
 G4=15μ"Gold  
 G5=30μ"Gold

Packaging:  
 T=Tube  
 R=1ape&Reel+CAP  
 P=Tube+CAP

Series No.  
 1=TYPE 1  
 2=TYPE 2

S0=Gold Flash/Tin  
 S1=3μ"Gold/Tin  
 S2=5μ"Gold/Tin  
 S3=10μ"Gold/Tin  
 S4=15μ"Gold/Tin  
 S5=30μ"Gold/Tin  
 SN=Tin



TITLE	PART NO.
TYPE 1	2457-2XXMXXCUNT1
TYPE 2	2457-2XXMXXCUNT2

**WCON** 维峰五金电子有限公司  
 WAFER HARDWARE ELECTRONICS CO.,LTD

OPERATION	DRAW
X.X	±0.40
X.XX	±0.25
X.XXX	±0.15
Angle	± 3'

SCALE	UNIT
4:1	mm

SIZE	PART NO.
A4	

SHEET	TITLE:
1/1	Customer NO.

PROJ.	SEE TABLE
	FHL 27x2.54 DUAL SMT H=5.7

REV	DATE	MODIFICATION DESCRIPTION	CHANGE	APPROVE
A0	08/02/16	NEW		

OPERATION	DRAW	SCALE	UNIT	SIZE	PART NO.	SHEET	TITLE:	PROJ.	SEE TABLE
X.X	±0.40	4:1	mm	A4		1/1	Customer NO.		FHL 27x2.54 DUAL SMT H=5.7