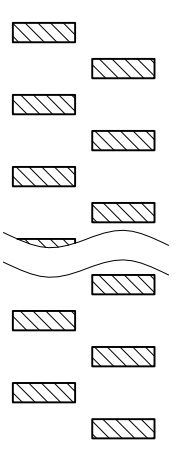
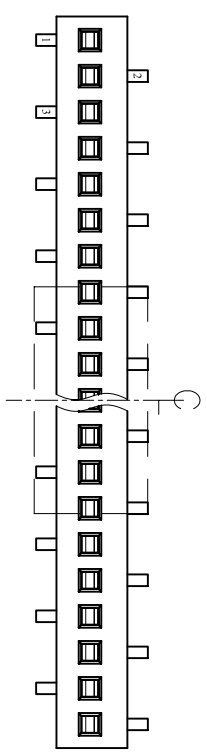




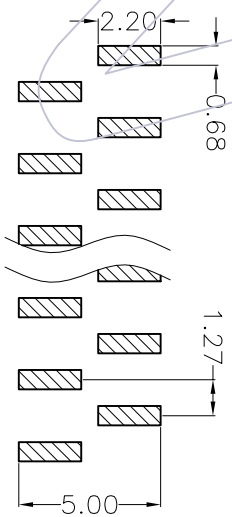
Recommended P.C.B Layout(Top Side)  
(PCB BOARD TOLERANCE±0.05)

NOTES:  
Current Rating: 1.0AMP  
Withstand Voltage: 500V AC/DC  
Contact Resistance: 20mΩ Max  
Insulation Resistance: 1000MΩMin  
Operation Temperature: -40°C to +105°C

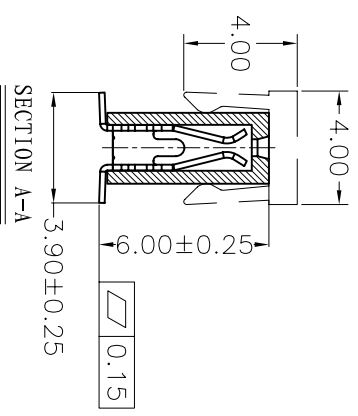
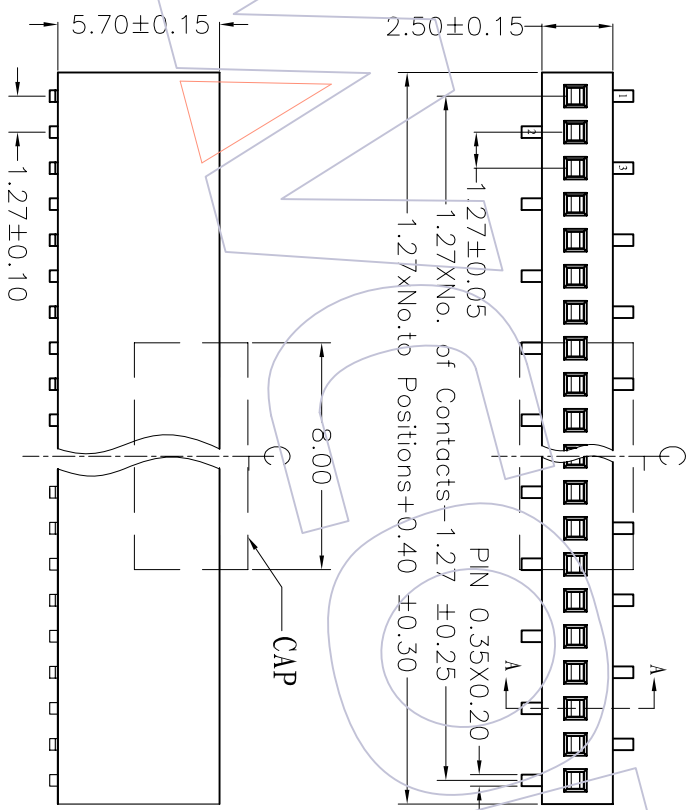
Contact Material: Phosphor Bronze  
Contact plating: Au or Sn over Ni  
Insulator Material: PA6T+30%G.F UL94V-0



Type 1



Type 2



# Ordering Information

2357 - 1XX M XX CUNT X

- No of Pins per ROW:02-50PIN
- Contact Plating: G0=Gold Plating
- GI=3μ"Gold
- G2=5μ"Gold
- G3=10μ"Gold
- G4=15μ"Gold
- G5=30μ"Gold
- S0=Gold Plating
- S1=3μ"Gold/Tin
- S2=5μ"Gold/Tin
- S3=10μ"Gold/Tin
- S4=15μ"Gold/Tin
- S5=30μ"Gold/Tin
- SN=Tin
- Packing: T=Tube
- R=Tap&Reel/CAP
- P=Tube/CAP
- Series No. 1=TYPE1 2=TYPE2

TITLE	PART NO.
TYPE 1	2357-1XXMXXCUNT1
TYPE 2	2357-1XXMXXCUNT2

REV	DATE	MODIFICATION DESCRIPTION	CHANGE	APPROVE	OPERATION	DRAW	SCALE	PART NO.	TITLE:
A0	08/02/16	NEW			XX ±0.40	DESIGN	4:1	SEE TABLE	1.27mm SINGLE FEMALE HEADER SMT H=5.7
					X.XX ±0.25	CHECK	A4		
					X.XXX ±0.15	CHECK	1/1		
					Angle ± 3°	CHECK	PROJ.		Customer NO.
					DM				

**WCON** 维峰五金电子有限公司  
WAVE HARDWARE ELECTRONICS CO. LTD

SEE TABLE